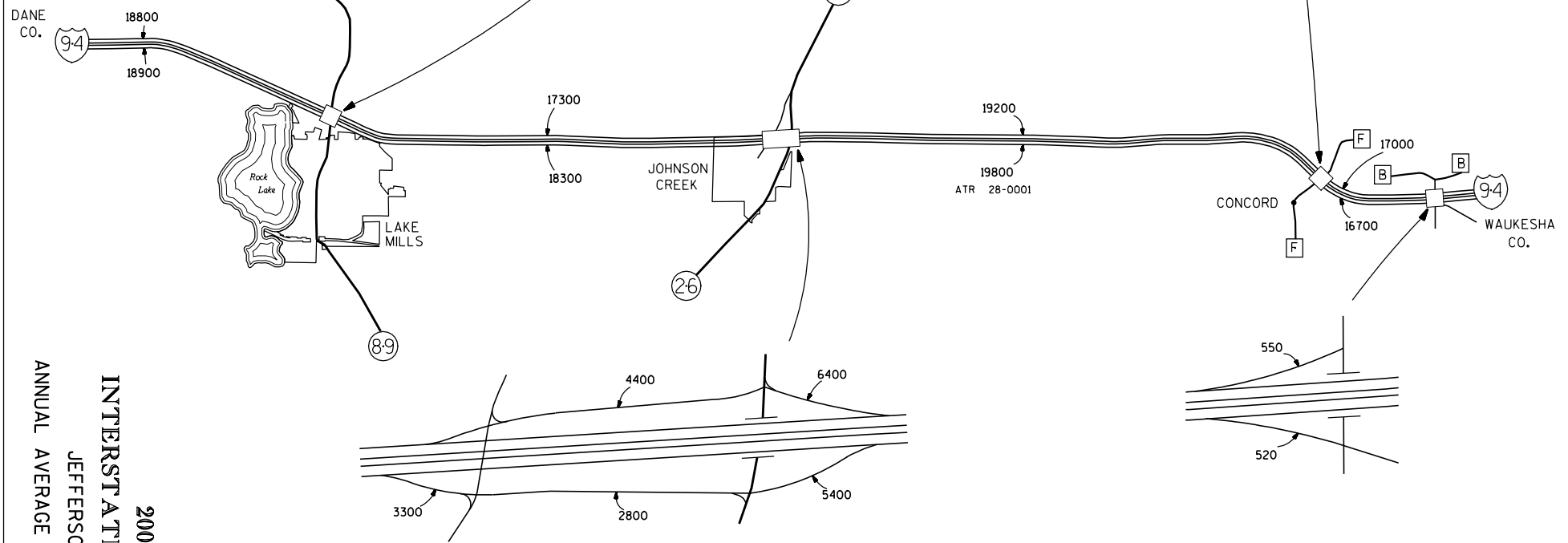
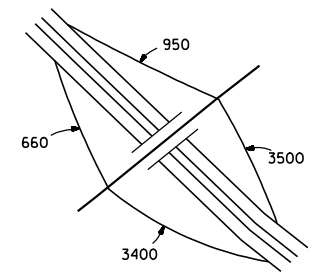
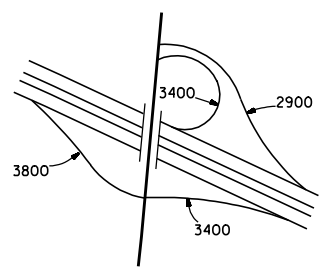


N



RAMP COUNTS ARE NOT FACTORED

2004  
 INTERSTATE SYSTEM  
 JEFFERSON CO.  
 ANNUAL AVERAGE DAILY TRAFFIC